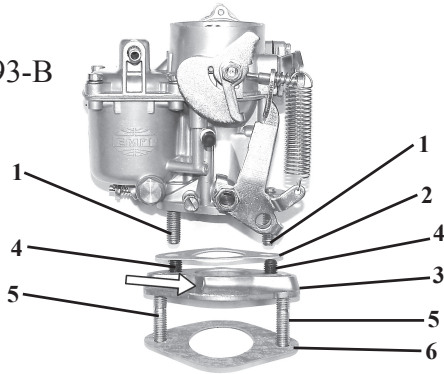




**INSTRUCTIONS FOR INSTALLATION OF ADAPTOR KIT FOR SOLEX CARBURETOR 30/31 PICT**

98-1293-B



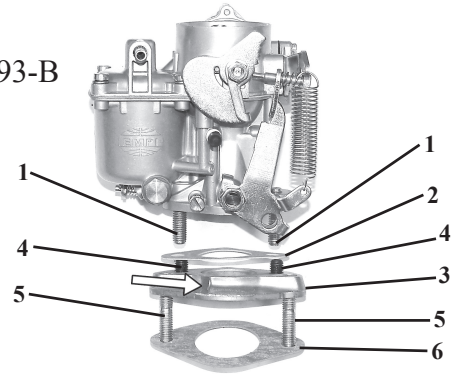
1. Remove stud bolts (1) from carburetor.
  2. Install adaptor (3) and 30mm Ø gasket (2) with allen head screws (4).  
**WARNING: Displacement of lower face of adaptor is toward pump side of carburetor (see arrow).**
  3. Tighten the new stud bolts (5) with the help of 2 nuts locked against each other, assemble the smallest threaded part of the screw in the flange, be sure that dimension 22+ 1mm is right.
  4. Place the 34mm Ø gasket (6) on the intake manifold flange, install and tighten the carburetor. Note that adapter displaces carburetor slightly to the left.
- NOTE: Use loctite (277, 274 or 271) on the Allen head screws (4) and to lock the new stud bolts (5) on the adaptor.**

99-4329/0906



**INSTRUCTIONS FOR INSTALLATION OF ADAPTOR KIT FOR SOLEX CARBURETOR 30/31 PICT**

98-1293-B



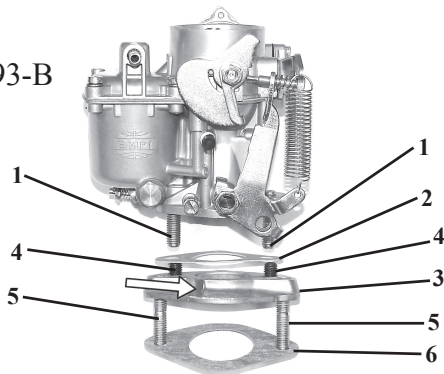
1. Remove stud bolts (1) from carburetor.
  2. Install adaptor (3) and 30mm Ø gasket (2) with allen head screws (4).  
**WARNING: Displacement of lower face of adaptor is toward pump side of carburetor (see arrow).**
  3. Tighten the new stud bolts (5) with the help of 2 nuts locked against each other, assemble the smallest threaded part of the screw in the flange, be sure that dimension 22+ 1mm is right.
  4. Place the 34mm Ø gasket (6) on the intake manifold flange, install and tighten the carburetor. Note that adapter displaces carburetor slightly to the left.
- NOTE: Use loctite (277, 274 or 271) on the Allen head screws (4) and to lock the new stud bolts (5) on the adaptor.**

99-4329/0906



**INSTRUCTIONS FOR INSTALLATION OF ADAPTOR KIT FOR SOLEX CARBURETOR 30/31 PICT**

98-1293-B



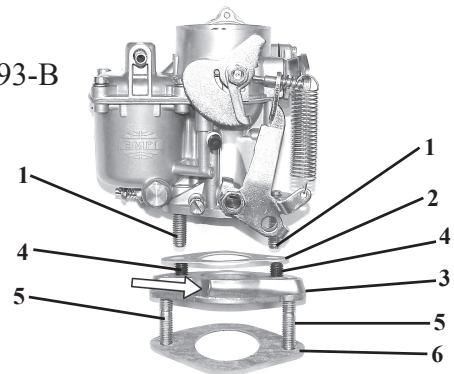
1. Remove stud bolts (1) from carburetor.
  2. Install adaptor (3) and 30mm Ø gasket (2) with allen head screws (4).  
**WARNING: Displacement of lower face of adaptor is toward pump side of carburetor (see arrow).**
  3. Tighten the new stud bolts (5) with the help of 2 nuts locked against each other, assemble the smallest threaded part of the screw in the flange, be sure that dimension 22+ 1mm is right.
  4. Place the 34mm Ø gasket (6) on the intake manifold flange, install and tighten the carburetor. Note that adapter displaces carburetor slightly to the left.
- NOTE: Use loctite (277, 274 or 271) on the Allen head screws (4) and to lock the new stud bolts (5) on the adaptor.**

99-4329/0906



**INSTRUCTIONS FOR INSTALLATION OF ADAPTOR KIT FOR SOLEX CARBURETOR 30/31 PICT**

98-1293-B



1. Remove stud bolts (1) from carburetor.
  2. Install adaptor (3) and 30mm Ø gasket (2) with allen head screws (4).  
**WARNING: Displacement of lower face of adaptor is toward pump side of carburetor (see arrow).**
  3. Tighten the new stud bolts (5) with the help of 2 nuts locked against each other, assemble the smallest threaded part of the screw in the flange, be sure that dimension 22+ 1mm is right.
  4. Place the 34mm Ø gasket (6) on the intake manifold flange, install and tighten the carburetor. Note that adapter displaces carburetor slightly to the left.
- NOTE: Use loctite (277, 274 or 271) on the Allen head screws (4) and to lock the new stud bolts (5) on the adaptor.**

99-4329/0906