

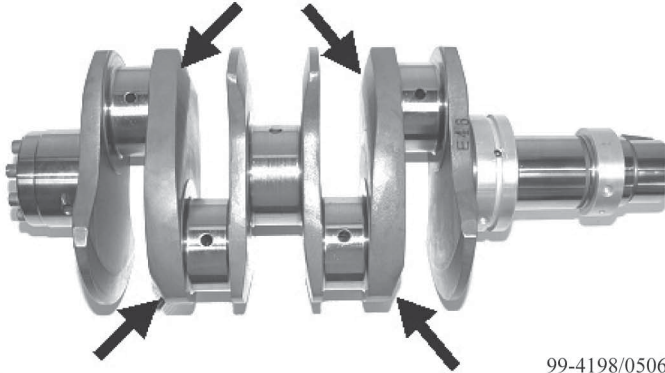


## INSTRUCTIONS FOR CRANKSHAFTS

### NOTICE:

After cleaning the oil galleys of your crankshaft, be sure to tighten the socket head plugs before installing it in your motor.

(5/32" allen wrench not supplied)



99-4198/0506

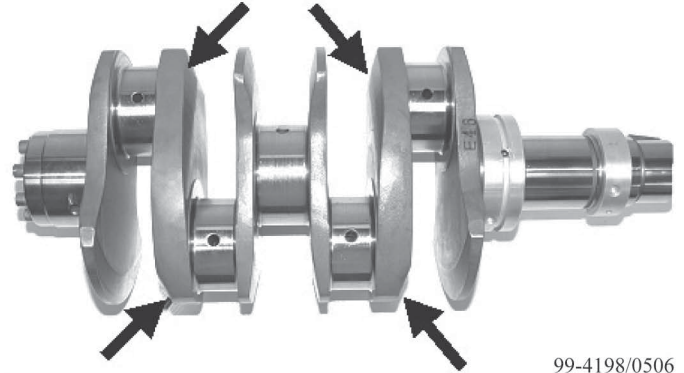


## INSTRUCTIONS FOR CRANKSHAFTS

### NOTICE:

After cleaning the oil galleys of your crankshaft, be sure to tighten the socket head plugs before installing it in your motor.

(5/32" allen wrench not supplied)



99-4198/0506

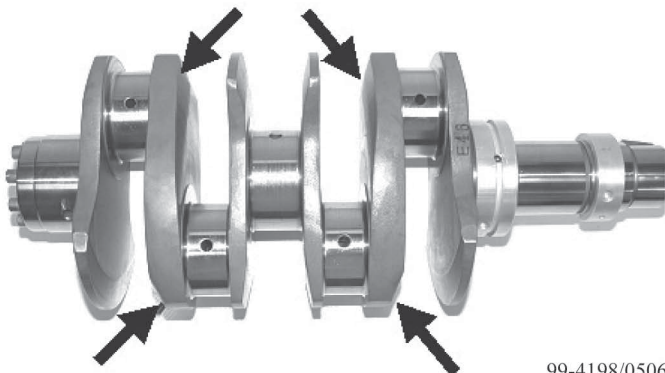


## INSTRUCTIONS FOR CRANKSHAFTS

### NOTICE:

After cleaning the oil galleys of your crankshaft, be sure to tighten the socket head plugs before installing it in your motor.

(5/32" allen wrench not supplied)



99-4198/0506

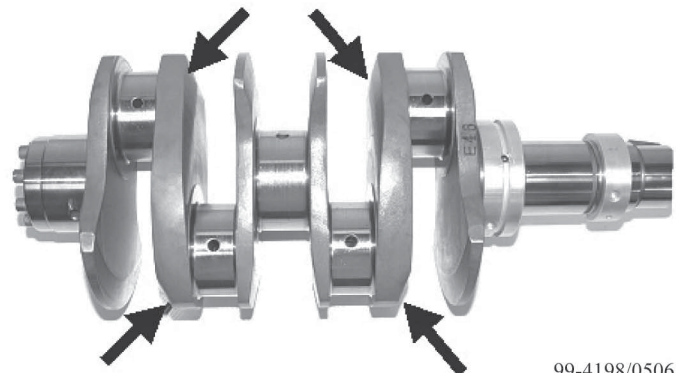


## INSTRUCTIONS FOR CRANKSHAFTS

### NOTICE:

After cleaning the oil galleys of your crankshaft, be sure to tighten the socket head plugs before installing it in your motor.

(5/32" allen wrench not supplied)



99-4198/0506