



INSTALLATION INSTRUCTIONS FOR TYPE 1 SINGLE IDF WEBER MANIFOLD

READ THOROUGHLY ALL STEPS OF THESE INSTRUCTIONS BEFORE BEGINNING THIS INSTALLATION.

1. Mount manifold to engine case utilizing existing case stud if long enough. If stud is not long enough, remove stud and secure manifold with M8 X 55 bolt and M8 washer supplied. Mount end casting to heads and manifold. (Manifold tubes can be shortened if necessary).
2. Install M8 X 40 studs on manifold and mount carburetor to manifold using supplied gaskets.
3. Mount new flat carburetor arm on carb throttle shaft as shown in **Figure 2** (Approx. the 5 o'clock position). **DO NOT OVERTIGHTEN THROTTLE SHAFT NUTS, 4-5FT/LBS MAXIMUM.** Slide shaft with carb arm through outside ear on manifold. Before sliding shaft through second ear, slide collar with set screw onto shaft. Slide the shaft the rest of the way through the second mount ear. Position lock collar next to left side edge of second ear (This will keep linkage from "walking"), loosely tighten. Slide bent throttle cable arm onto shaft with short ear facing to the right, loosely tighten (**See Figure 3**).
4. Mount swivel joint to 1/4-28 stud, then thread 1/4-28 jam nut onto stud. Add other swivel joint to stud. Only one lock nut is necessary to maintain the set length. Attach one swivel end to carb arm on carburetor and the other one to the arm with shaft. The arm with shaft (on manifold) should be pointing at approx. 7 o'clock. Attach throttle cable to throttle arm with barrel nut supplied. Check and adjust all linkage for full travel. **NOTE: WHEN SETTING THE CABLE ADJUSTMENT AT THROTTLE ARM, BE SURE TO SET AT "FULL THROTTLE POSITION". THIS MEANS THE ACCELERATOR PEDAL SHOULD BE AT "FULL STOP" AND THEN CABLE IS SET AT CARBURETOR "FULL THROTTLE STOP". THIS WILL KEEP YOU FROM OVER-EXTENDING YOUR CARBURETOR LINKAGE AND THROTTLE SHAFTS.** Tighten all set screws and nuts.

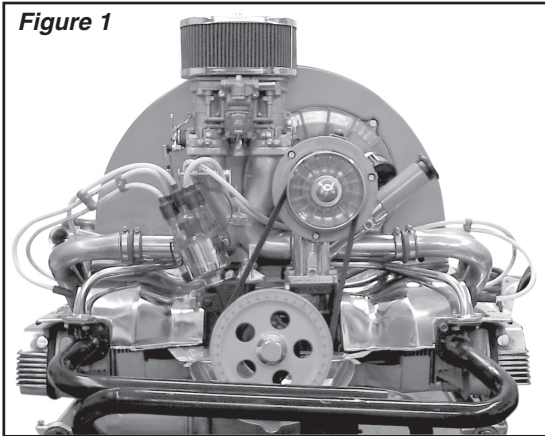


Figure 1

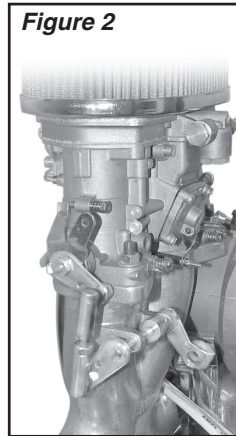


Figure 2

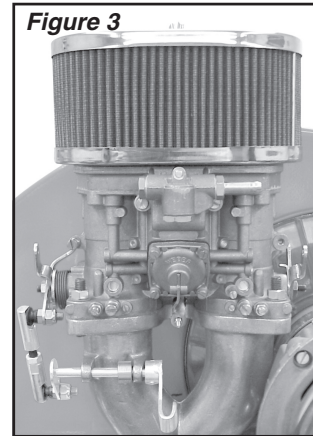


Figure 3

99-4101-0/0502



INSTALLATION INSTRUCTIONS FOR TYPE 1 SINGLE IDF WEBER MANIFOLD

READ THOROUGHLY ALL STEPS OF THESE INSTRUCTIONS BEFORE BEGINNING THIS INSTALLATION.

1. Mount manifold to engine case utilizing existing case stud if long enough. If stud is not long enough, remove stud and secure manifold with M8 X 55 bolt and M8 washer supplied. Mount end casting to heads and manifold. (Manifold tubes can be shortened if necessary).
2. Install M8 X 40 studs on manifold and mount carburetor to manifold using supplied gaskets.
3. Mount new flat carburetor arm on carb throttle shaft as shown in **Figure 2** (Approx. the 5 o'clock position). **DO NOT OVERTIGHTEN THROTTLE SHAFT NUTS, 4-5FT/LBS MAXIMUM.** Slide shaft with carb arm through outside ear on manifold. Before sliding shaft through second ear, slide collar with set screw onto shaft. Slide the shaft the rest of the way through the second mount ear. Position lock collar next to left side edge of second ear (This will keep linkage from "walking"), loosely tighten. Slide bent throttle cable arm onto shaft with short ear facing to the right, loosely tighten (**See Figure 3**).
4. Mount swivel joint to 1/4-28 stud, then thread 1/4-28 jam nut onto stud. Add other swivel joint to stud. Only one lock nut is necessary to maintain the set length. Attach one swivel end to carb arm on carburetor and the other one to the arm with shaft. The arm with shaft (on manifold) should be pointing at approx. 7 o'clock. Attach throttle cable to throttle arm with barrel nut supplied. Check and adjust all linkage for full travel. **NOTE: WHEN SETTING THE CABLE ADJUSTMENT AT THROTTLE ARM, BE SURE TO SET AT "FULL THROTTLE POSITION". THIS MEANS THE ACCELERATOR PEDAL SHOULD BE AT "FULL STOP" AND THEN CABLE IS SET AT CARBURETOR "FULL THROTTLE STOP". THIS WILL KEEP YOU FROM OVER-EXTENDING YOUR CARBURETOR LINKAGE AND THROTTLE SHAFTS.** Tighten all set screws and nuts.

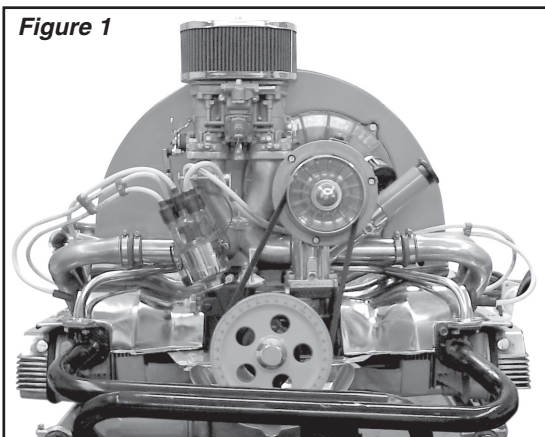


Figure 1

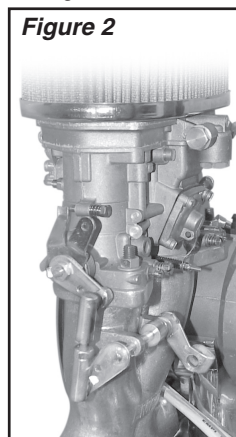


Figure 2

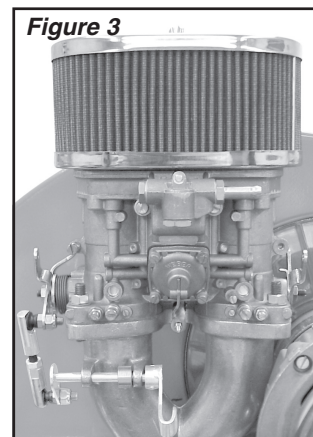


Figure 3

99-4101-0/0502