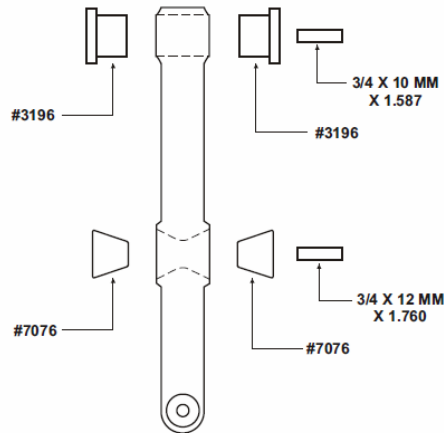
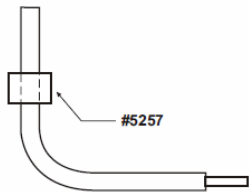




## INSTRUCTIONS FOR KIT NO. 16-5108 CONTROL ARM BUSHING KIT

### Instructions:

1. Original outer metal shell of control arm bushing must be removed.
2. Apply a light coat of grease to the I.D. of control arm eye.
3. Apply a light coat of grease to I.D. and O.D. of bushing before installing onto control arm.
4. Apply a light coat of grease to O.D. of sleeve.
5. Apply a light coat of grease on the sway bar bushing I.D. and sway bar at bushing contact area.



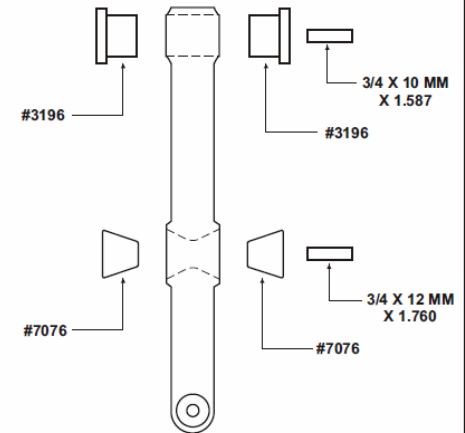
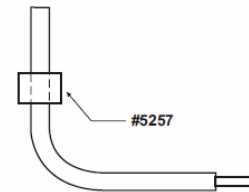
99-4095-0/0915



## INSTRUCTIONS FOR KIT NO. 16-5108 CONTROL ARM BUSHING KIT

### Instructions:

1. Original outer metal shell of control arm bushing must be removed.
2. Apply a light coat of grease to the I.D. of control arm eye.
3. Apply a light coat of grease to I.D. and O.D. of bushing before installing onto control arm.
4. Apply a light coat of grease to O.D. of sleeve.
5. Apply a light coat of grease on the sway bar bushing I.D. and sway bar at bushing contact area.



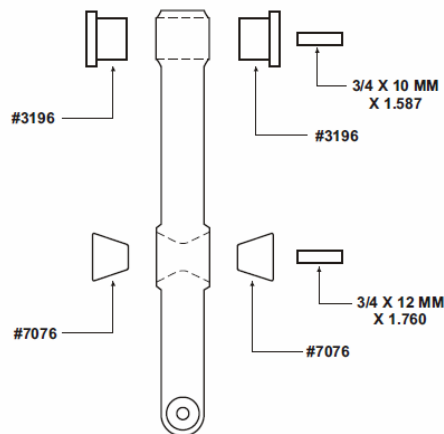
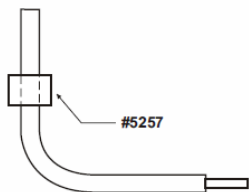
99-4095-0/0915



## INSTRUCTIONS FOR KIT NO. 16-5108 CONTROL ARM BUSHING KIT

### Instructions:

1. Original outer metal shell of control arm bushing must be removed.
2. Apply a light coat of grease to the I.D. of control arm eye.
3. Apply a light coat of grease to I.D. and O.D. of bushing before installing onto control arm.
4. Apply a light coat of grease to O.D. of sleeve.
5. Apply a light coat of grease on the sway bar bushing I.D. and sway bar at bushing contact area.



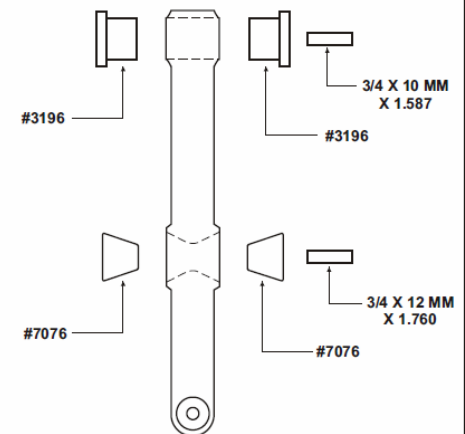
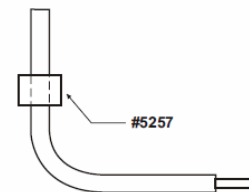
99-4095-0/0915



## INSTRUCTIONS FOR KIT NO. 16-5108 CONTROL ARM BUSHING KIT

### Instructions:

1. Original outer metal shell of control arm bushing must be removed.
2. Apply a light coat of grease to the I.D. of control arm eye.
3. Apply a light coat of grease to I.D. and O.D. of bushing before installing onto control arm.
4. Apply a light coat of grease to O.D. of sleeve.
5. Apply a light coat of grease on the sway bar bushing I.D. and sway bar at bushing contact area.



99-4095-0/0915