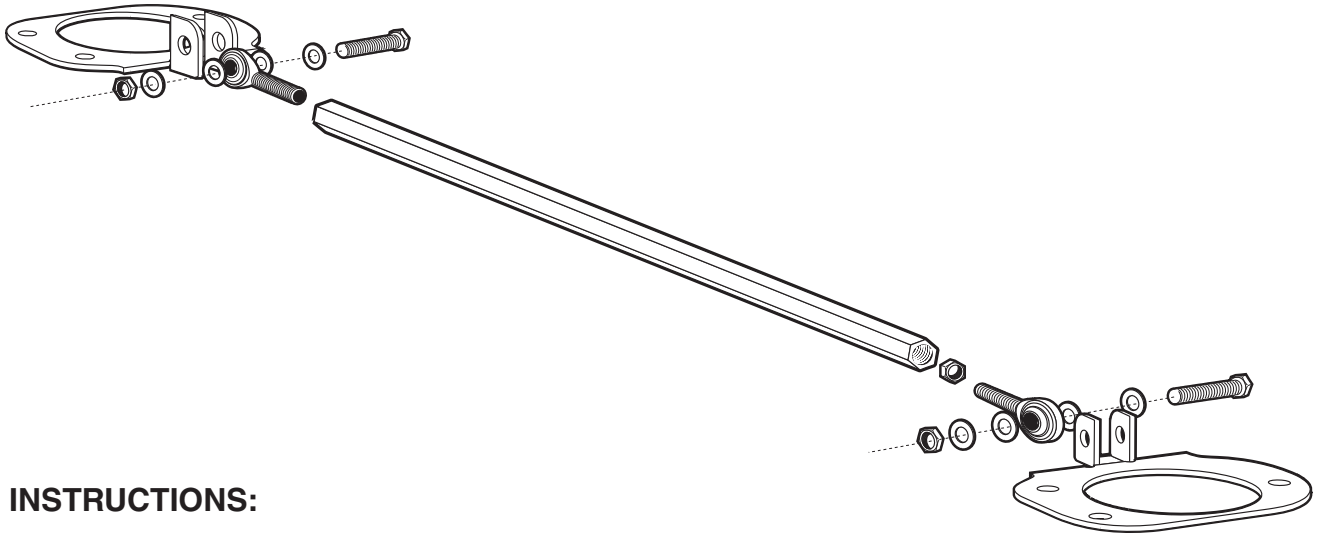




# INSTALLATION INSTRUCTIONS FOR 22-2856 SUPER BEETLE STRUT TIE-BAR

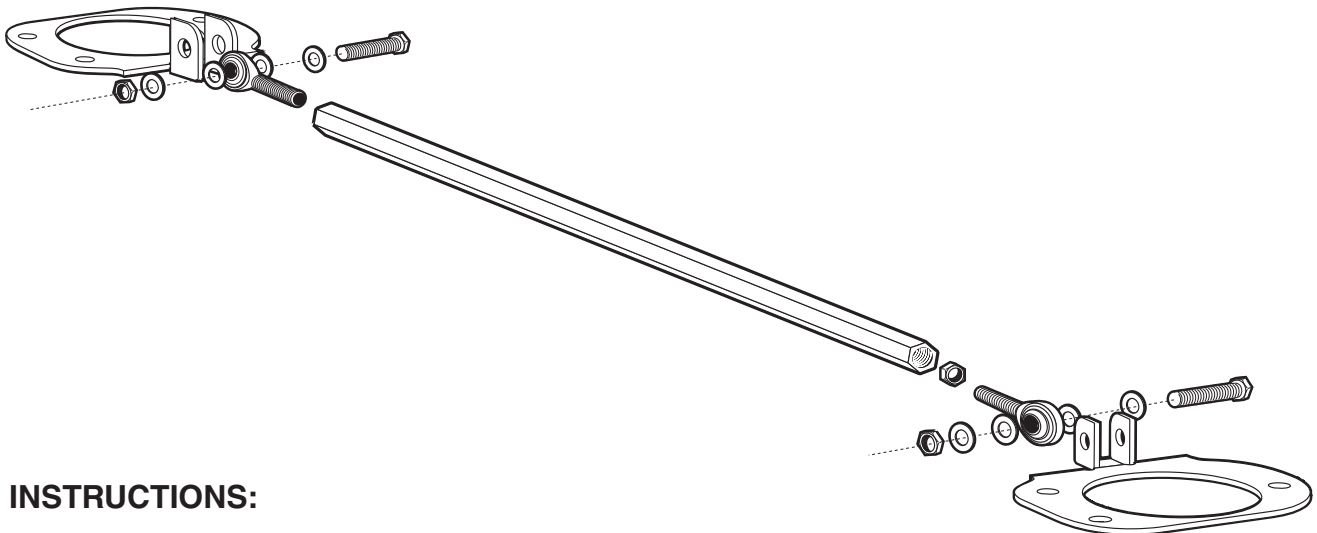


## INSTRUCTIONS:

1. Position car on level ground. DO NOT jack-up car.
2. Loosen the three (3) mounting nuts that retain the strut assembly to the car body. Taking care not to disturb the strut assembly position, remove the mount nuts and install proper strut tie-bar mount bracket.
3. Apply above procedure on opposite side of car.
4. Assemble heim-joints to crossbar. One (1) heim is left hand thread and one (1) is right hand thread. Include supplied jam nut on right hand thread heim-joint. Adjust heims to position tie-bar into mount brackets.
5. Upon final assembly position washers on either side of heim on the inside of bracket tabs and one (1) each at bolt head and nut (Refer to exploded view above).



# INSTALLATION INSTRUCTIONS FOR 22-2856 SUPER BEETLE STRUT TIE-BAR



## INSTRUCTIONS:

1. Position car on level ground. DO NOT jack-up car.
2. Loosen the three (3) mounting nuts that retain the strut assembly to the car body. Taking care not to disturb the strut assembly position, remove the mount nuts and install proper strut tie-bar mount bracket.
3. Apply above procedure on opposite side of car.
4. Assemble heim-joints to crossbar. One (1) heim is left hand thread and one (1) is right hand thread. Include supplied jam nut on right hand thread heim-joint. Adjust heims to position tie-bar into mount brackets.
5. Upon final assembly position washers on either side of heim on the inside of bracket tabs and one (1) each at bolt head and nut (Refer to exploded view above).