

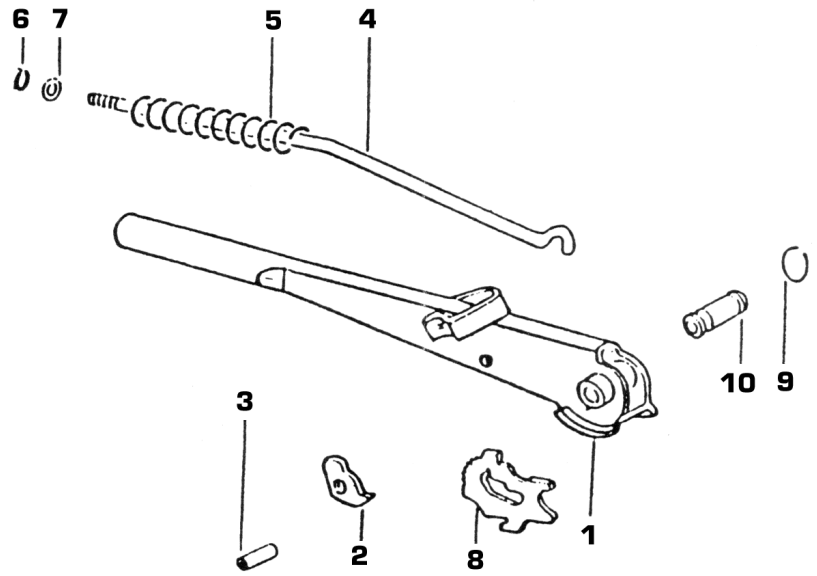


Parts supplied in kit

1	Handle	#1	1	Ratchet Pin	#3
1	Rod	#4	1	Anchor Pin	#10
1	Spring	#5	2	Clip	#9
1	Gear	#8	1	Button	#6
1	Ratchet	#2	1	Washer	#7

Instructions

1. Install ratchet and ratchet pin into handle, make sure teeth on ratchet are facing back towards gear. Pin should be tack welded in position.
2. Install spring, washer and button on rod.
3. Install rod into handle with curved part matching to top of ratchet. Keep button depressed while installing gear.
4. Install unit into car, put anchor pin and clips to hold handle in position.
5. Adjust cables so that there is equal tension on both cables and that it holds the car in five or six clicks.



99-4060/0706

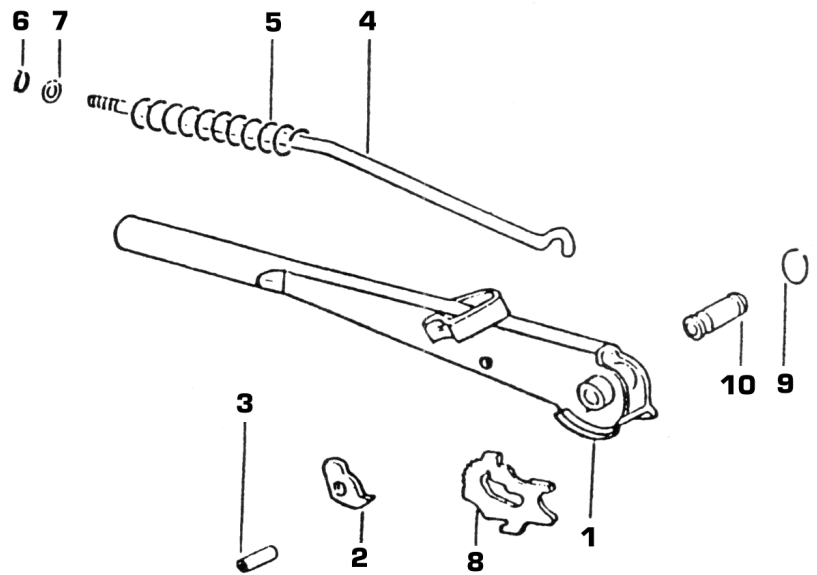


Parts supplied in kit

1	Handle	#1	1	Ratchet Pin	#3
1	Rod	#4	1	Anchor Pin	#10
1	Spring	#5	2	Clip	#9
1	Gear	#8	1	Button	#6
1	Ratchet	#2	1	Washer	#7

Instructions

1. Install ratchet and ratchet pin into handle, make sure teeth on ratchet are facing back towards gear. Pin should be tack welded in position.
2. Install spring, washer and button on rod.
3. Install rod into handle with curved part matching to top of ratchet. Keep button depressed while installing gear.
4. Install unit into car, put anchor pin and clips to hold handle in position.
5. Adjust cables so that there is equal tension on both cables and that it holds the car in five or six clicks.



99-4060/0706