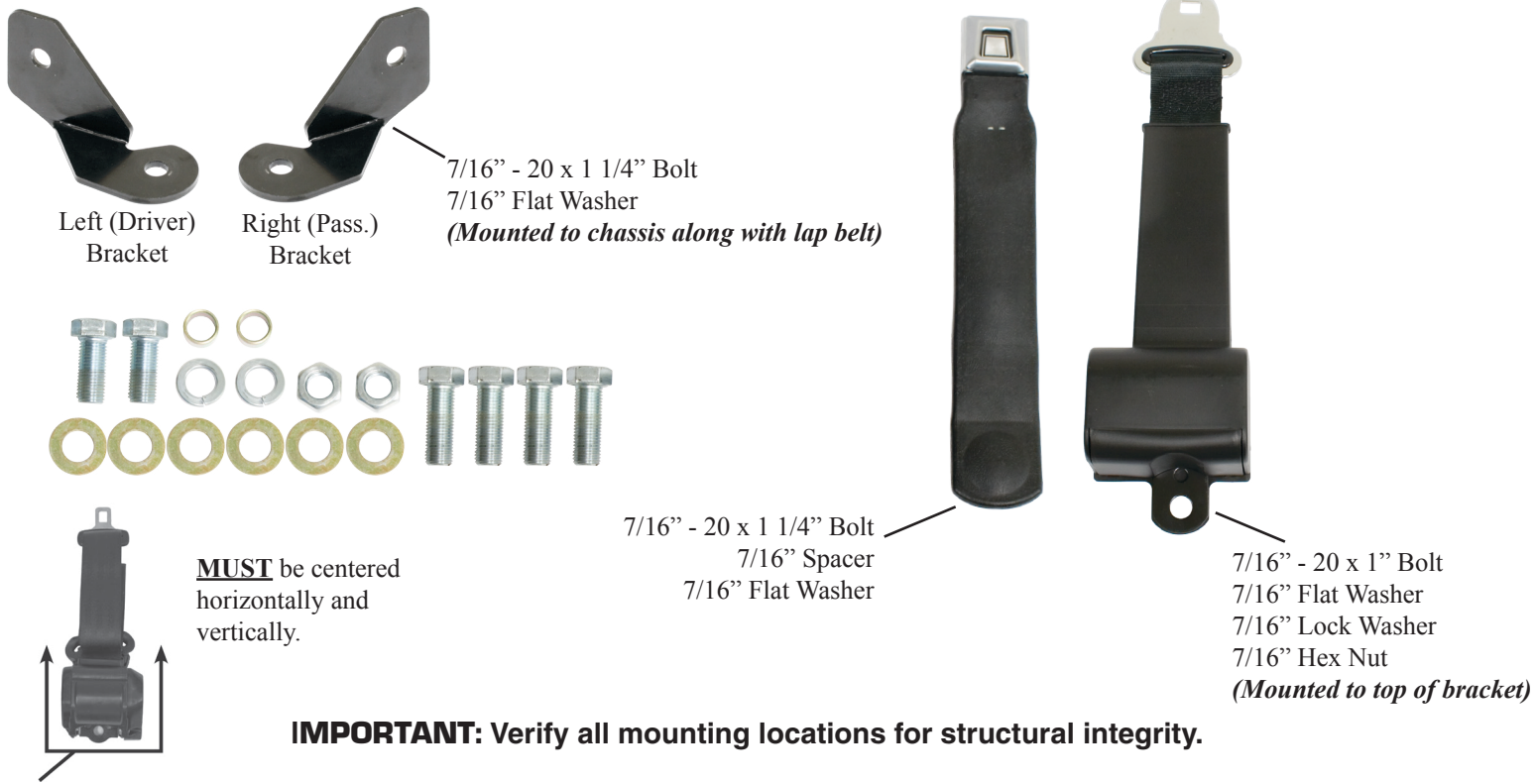


Instructions for 3847

For use in 1966 & newer Type 1 Sedans, utilizing O.E. mounting locations

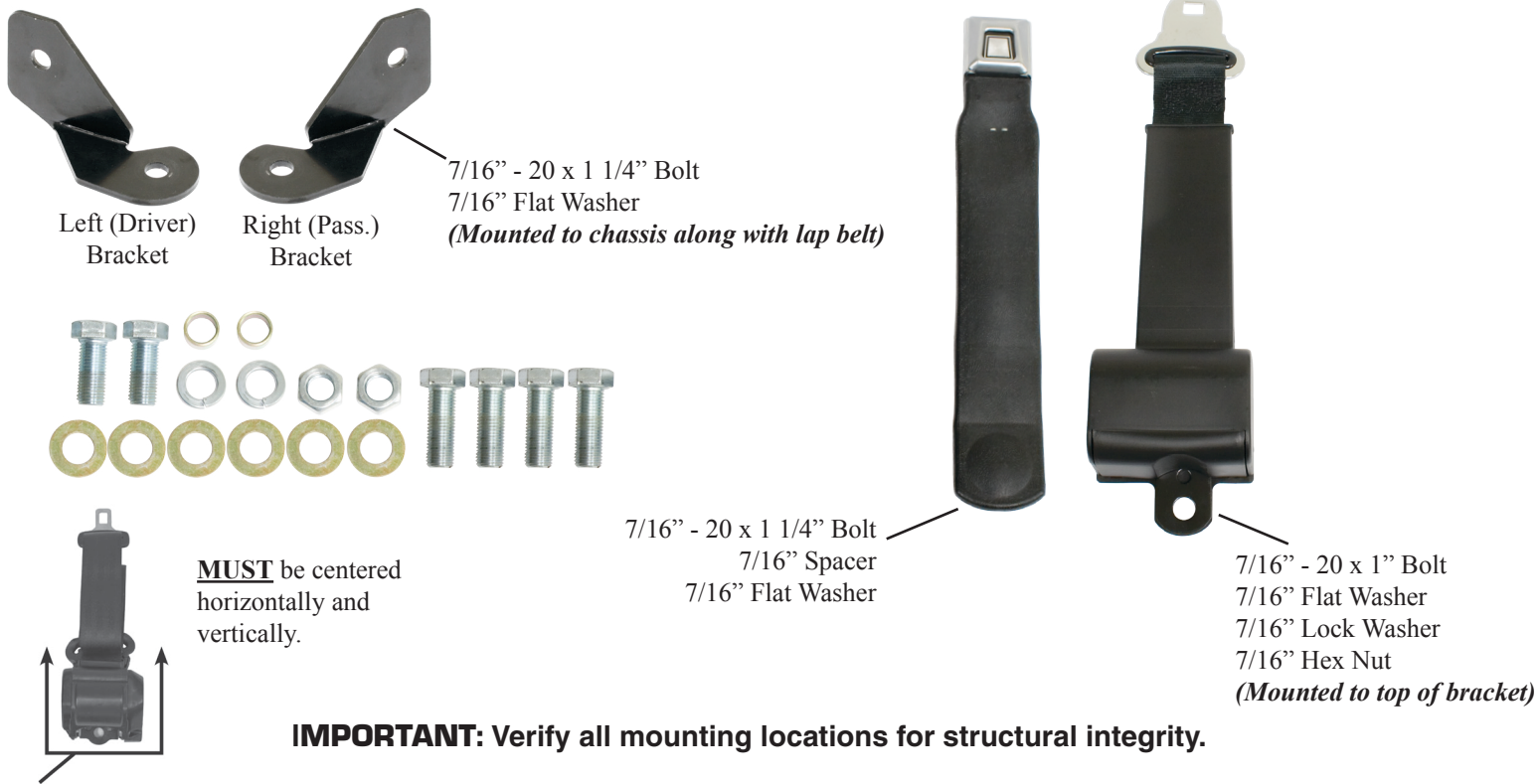


Note: Due to the design nature of the winder/locking mechanism, this unit will not dispense or retract the belt unless it is centered both horizontally and vertically. If the reel has retracted too much belt onto it, it may require some hand feeding to get the mechanism back into it's working range.

99-3970-0/0416

Instructions for 3847

For use in 1966 & newer Type 1 Sedans, utilizing O.E. mounting locations



Note: Due to the design nature of the winder/locking mechanism, this unit will not dispense or retract the belt unless it is centered both horizontally and vertically. If the reel has retracted too much belt onto it, it may require some hand feeding to get the mechanism back into it's working range.

99-3970-0/0416